

# eNVP-JAX-AI-V0008

NVIDIA Jetson® AGX Xavier AI BOX

---

*User's Manual*



Copyright © EverFocus Electronics Corp.  
Release Date: September 2022

EVERFOCUS ELECTRONICS CORPORATION

# eNVP-JAX-AI-V0008

## NVIDIA Jetson® AGX Xavier AI BOX

### User's Manual

---

© 1995-2022 EverFocus Electronics Corp.  
[www.everfocus.com.tw](http://www.everfocus.com.tw)

#### **Disclaimer**

All the images including product pictures or screen shots in this document are for example only. The images may vary depending on the product and software version. Information contained in this document is subject to change without notice.

#### **Copyright**

All rights reserved. No part of the contents of this manual may be reproduced or transmitted in any form or by any means without written permission of the EverFocus Electronics Corporation.

- NVIDIA, the NVIDIA logo, and Jetson are trademarks of the NVIDIA Corporation
- ITE is a trademark of Integrated Technology Express, Inc.
- IBM and VGA are trademarks of International Business Machines Corporation.
- Ubuntu is a registered trademark of Canonical
- All other product names or trademarks are properties of their respective owners.

# Safety Precautions

Please read the following safety instructions carefully. It is advised that you keep this manual for future references.

- All cautions and warnings on the device should be noted.
- All cables and adapters supplied by EverFocus are certified and in accordance with the material safety laws and regulations of the country of sale. Do not use any cables or adapters not supplied by EverFocus to prevent system malfunction or fires.
- Make sure the power source matches the power rating of the device.
- Position the power cord so that people cannot step on it. Do not place anything over the power cord.
- Always completely disconnect the power before working on the system's hardware.
- No connections should be made when the system is powered as a sudden rush of power may damage sensitive electronic components.
- If the device is not to be used for a long time, disconnect it from the power supply to avoid damage by transient over-voltage.
- Always disconnect this device from any AC supply before cleaning.
- While cleaning, use a damp cloth instead of liquid or spray detergents.
- Make sure the device is installed near a power outlet and is easily accessible.
- Keep this device away from humidity.
- Place the device on a solid surface during installation to prevent falls.
- Do not cover the openings on the device to ensure optimal heat dissipation.
- Watch out for high temperatures when the system is running.
- Do not touch the heat sink or heat spreader when the system is running.
- Never pour any liquid into the openings. This could cause fire or electric shock.
- As most electronic components are sensitive to static electrical charge, be sure to ground yourself to prevent static charge when installing the internal components. Use a grounding wrist strap and contain all electronic components in any static-shielded containers.
- If any of the following situations arises, please contact our service personnel (ts@everfocus.com.tw):
  - Damaged power cord or plug
  - Liquid intrusion to the device
  - Exposure to moisture
  - Device is not working as expected or in a manner as described in this manual
  - The device is dropped or damaged
  - Any obvious signs of damage displayed on the device
- **DO NOT LEAVE THIS DEVICE IN AN UNCONTROLLED ENVIRONMENT WITH TEMPERATURES BEYOND THE DEVICE'S PERMITTED STORAGE TEMPERATURES (SEE SPECIFICATION) TO PREVENT DAMAGE.**

## FCC Statement

**Warning!**



This device complies with Part 15 FCC Rules. Operation is subject to the following two conditions: (1) this device may not cause harmful interference, and (2) this device must accept any interference received including interference that may cause undesired operation.

**Caution:**

There is a danger of explosion if the battery is incorrectly replaced. Replace only with the same or equivalent type recommended by the manufacturer. Dispose of used batteries according to the manufacturer's instructions and your local government's recycling or disposal directives.

**Attention:**

Il y a un risque d'explosion si la batterie est remplacée de façon incorrecte.

Ne la remplacer qu'avec le même modèle ou équivalent recommandé par le constructeur.

Recycler les batteries usées en accord avec les instructions du fabricant et les directives gouvernementales de recyclage.

# TABLE OF CONTENTS

1.	Introduction .....	1
1.1	Features .....	1
1.2	Dimensions.....	2
1.3	Packing List.....	2
1.4	Physical Description .....	3
1.5	Carrier Board.....	5
2.	Jumpers and Connectors on the Motherboard .....	6
3.	Specification.....	16

# Chapter 1

## 1. Introduction

EverFocus eNVP-JAX-AI-V0008 is a compact AI Box based on NVIDIA® Jetson AGX Xavier™, designed for general and commercial markets. With 8-core NVIDIA Carmel Arm® 64-bit CPU and various interfaces, this model aims to deliver high-quality performance for wider computing applications. In addition, this AI Box also comes with EverFocus in-house designed software, providing basic NVR functions of real-time live view, video recording/playback, alarm notifications and etc.

### 1.1 Features

#### eNVP-JAX-AI-V0008

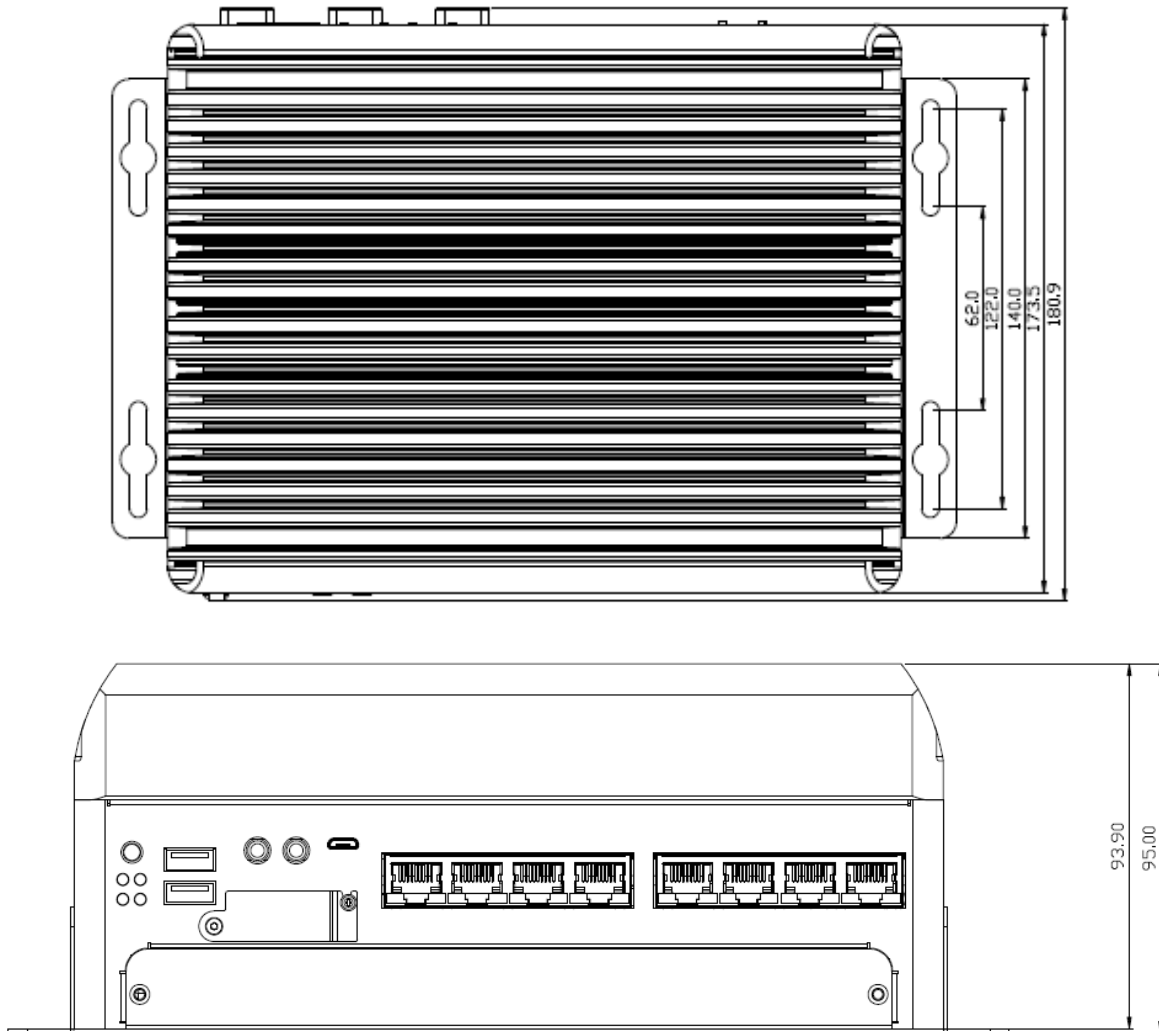
- Fanless AI edge embedded box PC
- 8-core NVIDIA Carmel Arm®v8.2 64-bit CPU
- 512 NVIDIA CUDA cores and 64 Tensor cores (Volta™ architecture)
- Onboard 32/64 GB 256-bit LPDDR4x 136.5GB/s
- Supports PoE x 8, GbE x 2
- Supports M.2 M-key 2280 x 1 (for NVMe SSD)
- Supports M.2 B-key 3042/3052 x 1 (for 4G/5G module)<sup>1</sup>
- Supports M.2 E-key 2230 x 1 (for WiFi/BT module)
- Supports SATA x 2, SD Card x 1
- Supports CAN bus x 1, GPS x 1
- Supports RS232 x 2 (SKU1) / RS232 x1, RS485 x 1 (SKU2)
- Supports Alarm In x 8, Alarm Out x 8
- Supports 9V to 36V wide-range DC input

Refer to *Chapter 3 Specification* for more detail.

---

<sup>1</sup> Please note that 4G or 5G cannot co-exist while in use.

## 1.2 Dimensions



## 1.3 Packing List

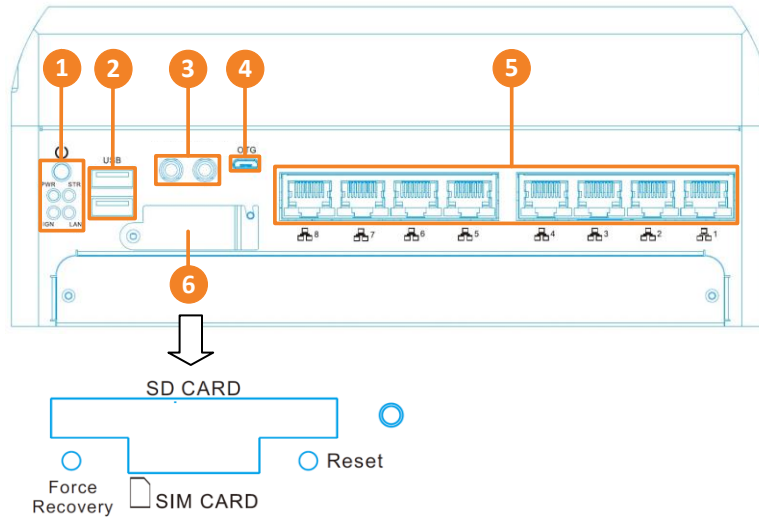
- AI BOX x 1
- Power Harness Cable x 1, SATA Cable x 2, Alarm I/O Cable x 2, RS485 Cable x 1
- Mounting Bracket x 2
- Screw Kit x 1:
  - 4 screws + 8 spacers (for mounting bracket)
  - 8 screws for SATA drive

**Note:**

1. Equipment configurations and supplied accessories vary by country. Please consult your local EverFocus office or agents for more information.
2. If any item appears to have been damaged in the shipping process, please contact the shipper. Please also keep the shipping carton for possible future use.

## 1.4 Physical Description

### 1.4.1. Front I/O Overview

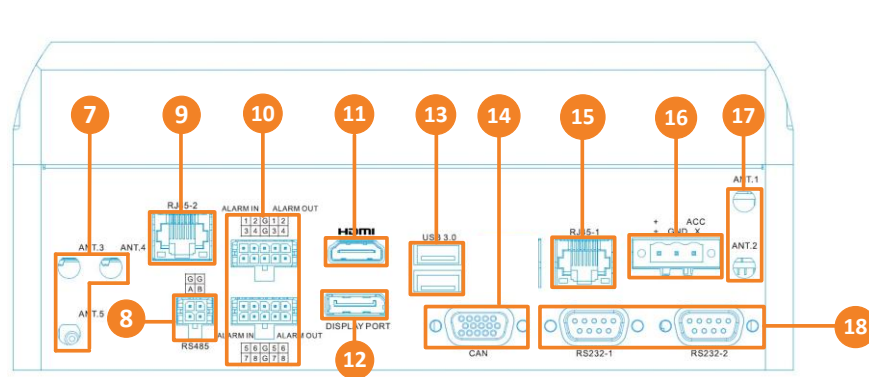


No.	Name	Description
1	Button	PWR x 1
	Indicator	LED x 4 (PWR/LAN/IGN/STR) <sup>2</sup>
2	USB	USB 2.0 x 2
3	Audio In/Out	Audio In/Out
4	OTG	MicroUSB (for Flash OS) x 1
5	PoE	PoE x 8
6	Protective Cover	Remove the cover to access the following slots & buttons:
	SD CARD	SD Card x 1
	SIM CARD	SIM Card x 1
	Button	Force Recovery x 1, Reset x 1

<sup>2</sup> STR LED indicates the read/write status of all storage devices, except for certain SD Cards.



### 1.4.2. Rear I/O Overview



No.	Name	Description
7	Antenna	ANT.3 ~ ANT.5
8	RS485	RS485 x 1 (SKU2 only)
9	RJ45-2	RJ45/GbE x 1
10	Alarm In/Out	Alarm In x 8, Alarm Out x 8
11	HDMI	HDMI x 1
12	DisplayPort	DisplayPort x 1
13	USB 3.0	USB 3.0 x 2
14	CAN bus	CAN bus x 1
15	RJ45-1	RJ45/GbE x 1
16	PWR Input	Connecting to the power source. Refer to 2.2 <i>Vehicle Connection</i> .
17	Antenna	ANT.1 ~ ANT.2
18	RS232	RS232 x 2

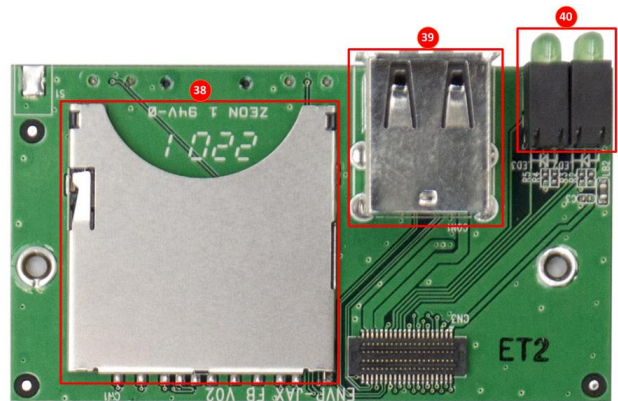
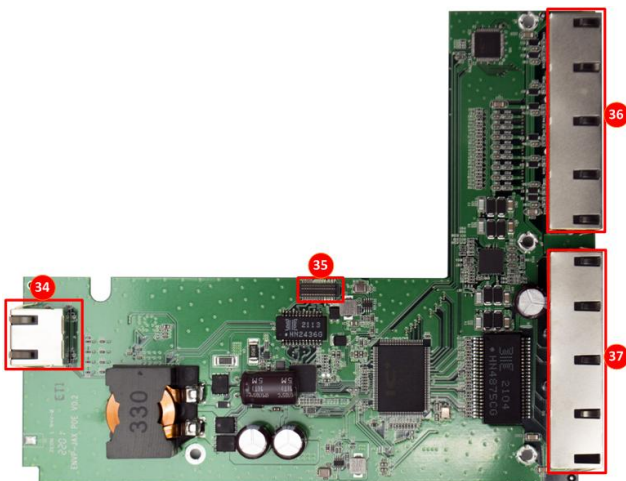
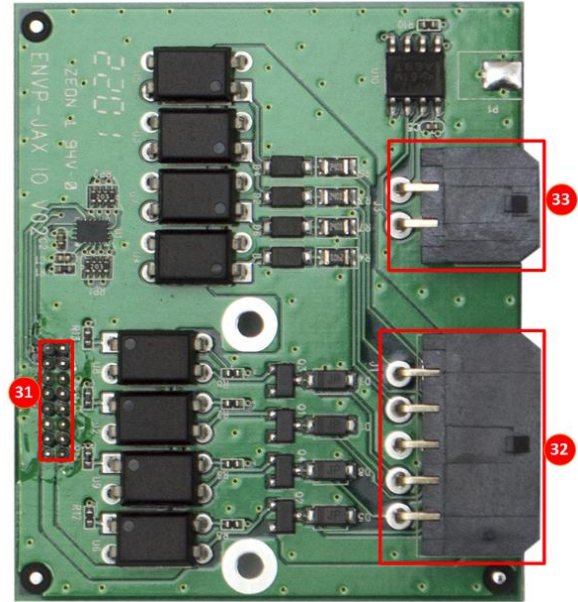
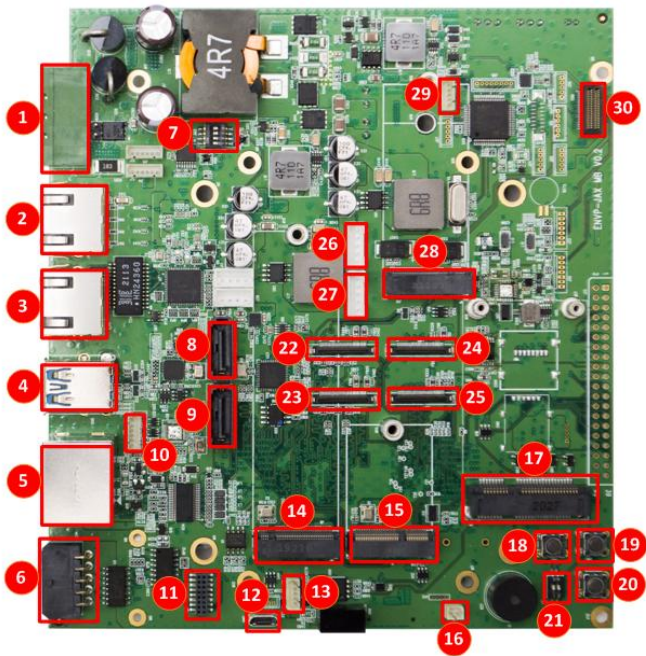
## 1.5 Carrier Board

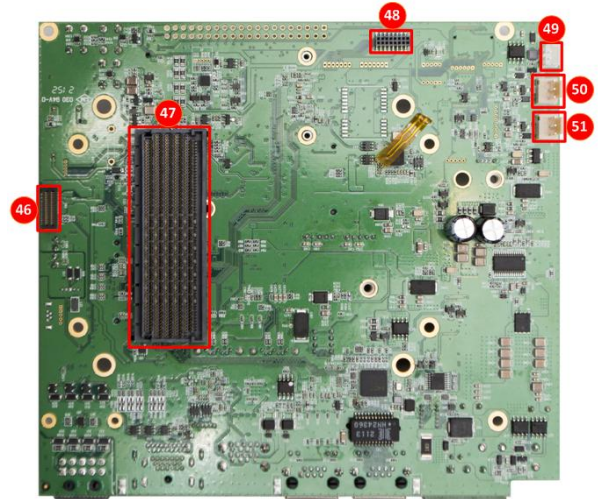
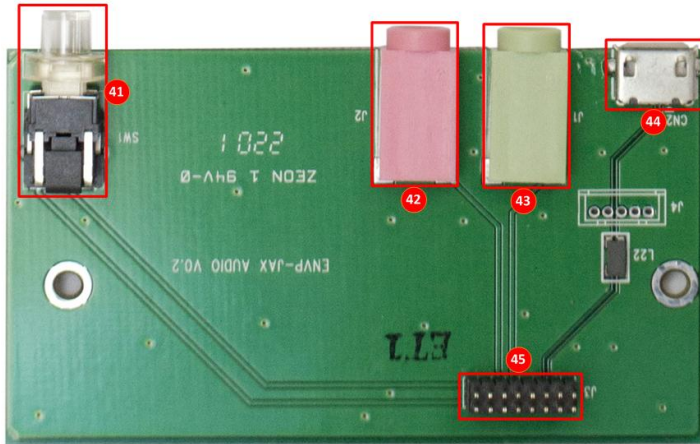
To access the carrier board, please unscrew the 6 screws on the cover.



# Chapter 2

## 2. Jumpers and Connectors on the Motherboard





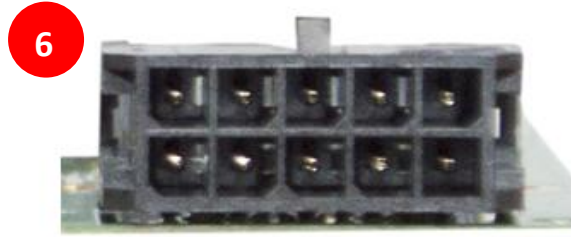
eNVP-JAX-AI-V0008			
1	Power Input	26	Camera Power (optional)
2	RJ45 (optional)	27	Camera Power (optional, for MIPI)
3	RJ45-1/GbE	28	M.2 B-Key 3042/3052*
4	USB 3.0 x 2	29	SATA Power x 2
5	Video out (DisplayPort, HDMI)	30	Front Board Connector
6	Alarm I/O 1~4 (4-In, 4-Out)	31	Main Board Connector
7	RS232 Switch (1&2 on) or RS485 Switch (3&4 on, <b>SKU2 only</b> )	32	Alarm I/O 5~8 (4-In, 4-Out)
8	SATA Port	33	RS485 ( <b>SKU2 only</b> )
9	SATA Port	34	RJ45-2/GbE
10	VGA Port (optional)	35	Main Board Connector
11	IO Board Connector	36	PoE 5 ~ 8
12	--	37	PoE 1 ~ 4
13	CAN bus	38	SD Card
14	M.2 M-Key 2280	39	USB 2.0 x 2
15	M.2 E-Key 2230	40	LED x 4
16	Battery (RTC)	41	Power Switch
17	Mini PCIe*	42	Audio In
18	Reset	43	Audio Out
19	Power On	44	OS Flash Port
20	Force Recovery	45	Main Board Connector
21	M.2 B-Key Power Switch (3.3v/3.7)	46	PoE Board Connector
	Power Auto ON	47	AGX SOM Connector
22	PCIe (optional)	48	Audio Board Connector
23	PCIe (optional)	49	HDD Heater Connector
24	MIPI (optional)	50	Fan Connector 1 (by SOM)
25	MIPI (optional)	51	Fan Connector 2 (by SOM)

\* Note: Mini PCIe and M.2 B-Key 3042/3052 can only support one(1) LTE module while in use.



**Power Input**

Power Input		
Vin+	GND	ACC / X



**Alarm IO  
Dry Contact  
4-In, 4-Out**

Alarm In		Alarm Out	
1	2	G1	1
3	4	G2	3

PIN	Level
Alarm In 1	8~36V
Alarm In 2	8~36V
Alarm In 3	8~36V
Alarm In 4	8~36V
GND 1	--
GND 2	--
Alarm Out 1	8~36V
Alarm Out 2	8~36V
Alarm Out 3	8~36V
Alarm Out 4	8~36V

\* **Dry Contact:** Dry-contact alarms, also known as passive-contact alarms, refer to volt-free alarms that do not supply voltage. Not connected to circuitry, dry-contact alarms would operate as a single on/off switch outside the major switch. In other words, the relay energizes or de-energizes when a change to its voltage input has occurred. Refer to the “level” above for the input range of this device.



**Alarm In/Out**  
**Dry Contact**  
**4-In, 4-Out**

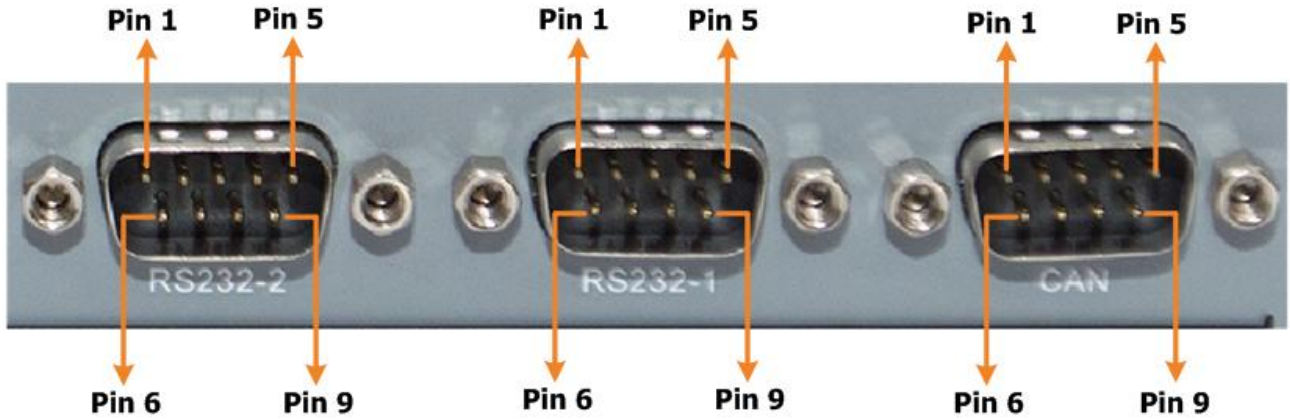
**RS485 (SKU2)**

Alarm In		Alarm Out	
5	6	G1	5
7	8	G2	7
			8

RS485	
G1	G2
A	B

PIN	Level
Alarm In 5	8~36V
Alarm In 6	8~36V
Alarm In 7	8~36V
Alarm In 8	8~36V
GND 1	--
GND 2	--
Alarm Out 5	8~36V
Alarm Out 6	8~36V
Alarm Out 7	8~36V
Alarm Out 8	8~36V

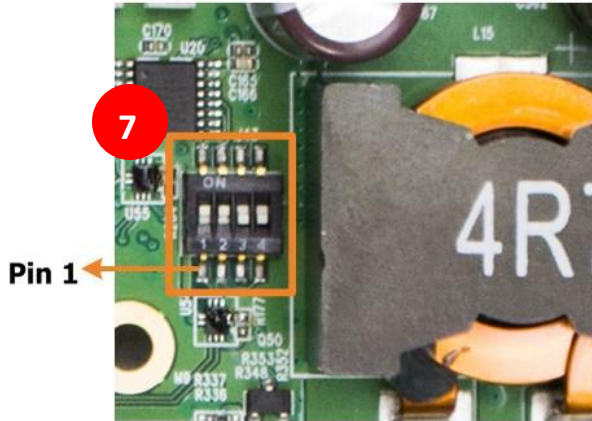
PIN	Function
GND1	--
GND2	--
A	RS485+
B	RS485-



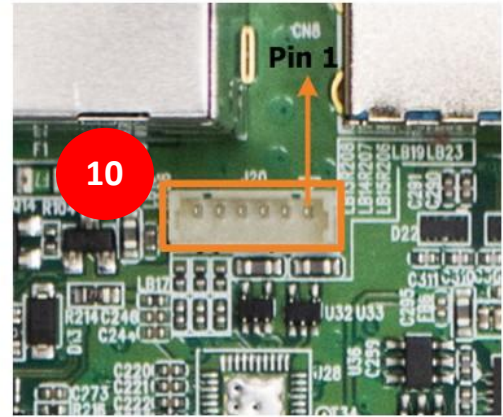
RS232 - 1		
PIN No.	Function	Level
PIN 1	N.C	--
PIN 2	Received Data	$\pm 15V$
PIN 3	Transmitted Data	$\pm 15V$
PIN 4	N.C	--
PIN 5	Signal Ground	--
PIN 6	N.C	--
PIN 7	Request to Send	$\pm 15V$
PIN 8	Clear to Send	$\pm 15V$
PIN 9	N.C	--

RS232 - 2		
PIN No.	Function	Level
PIN 1	N.C	--
PIN 2	Received Data	$\pm 15V$
PIN 3	Transmitted Data	$\pm 15V$
PIN 4	N.C	--
PIN 5	Signal Ground	--
PIN 6	N.C	--
PIN 7	Request to Send	$\pm 15V$
PIN 8	Clear to Send	$\pm 15V$
PIN 9	N.C	--

CAN		
PIN No.	Function	Level
PIN 1	CAN bus 5V	5V Output
PIN 2	CAN_L	CAN bus CANL
PIN 3	CAN bus GND	CAN bus GND
PIN 4	N.C	--
PIN 5	N.V	--
PIN 6	CAN bus GND	CAN bus GND
PIN 7	CAN_H	CAN bus CANH
PIN 8	N.C	--
PIN 9	N.C	--



**RS232 / RS485 Switch (1&2 RS232 / 3&4 RS485)**  
 PIN Label: J43  
 (This Function only for SKU2)

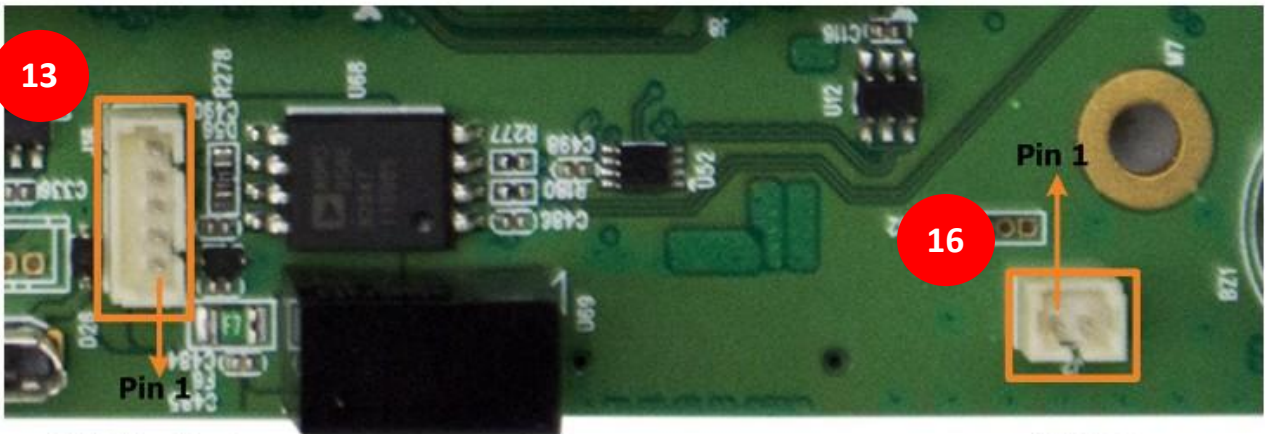


**VGA Port (optional)**  
 PIN Label: J20

Label	PIN	PIN Name	Function	Level
J43	1	UART1_TXD_LS	UART1 to RS232 (1&2 on)	--
J43	2	UART1_RXD_LS		--
J43	3	UART1_TXD_LS	UART1 to RS485 (3&4 on)	--
J43	4	UART1_RXD_LS		--

Label	PIN	PIN Name	Function	Level
J20	1	VGA_VS_OUT	VGA port	--
J20	2	VGA_HS_OUT	VGA port	--
J20	3	VGA_B_OUT	VGA port	--
J20	4	VGA_G_OUT	VGA port	--
J20	5	VGA_R_OUT	VGA port	--
J20	6	GND	--	--

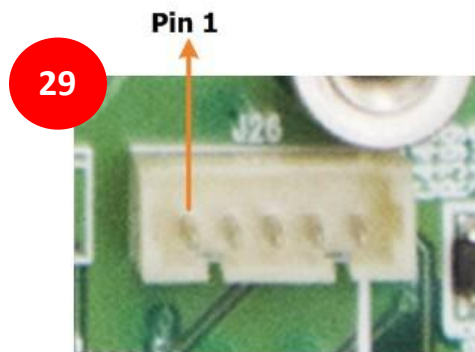




**CAN Bus Port**  
PIN Label: J16

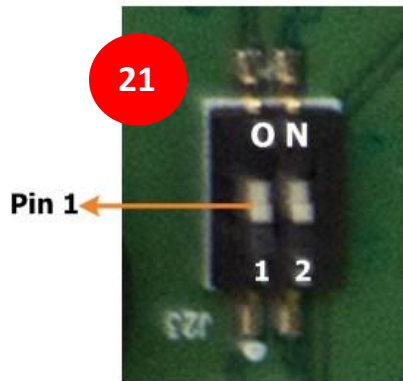
**Battery**  
PIN Label: J2

Label	PIN	PIN Name	Function	Level
J16	1	5V_CAN	CAN bus	--
J16	2	CAN1-H	CAN bus	--
J16	3	CAN1-L	CAN bus	--
J16	4	GND	CAN bus isolator GND	--
J16	5	GND	CAN bus isolator GND	--
J2	1	BAT+ Battery	Vin 3.3V	--
J2	2	GND	GND	--

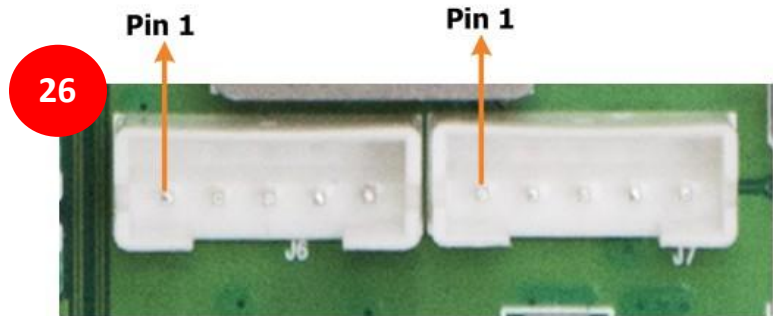


**SATA Power x 2**  
PIN Label: J26

Label	PIN	PIN Name	Function	Level
J26	1	3V3_STB	MCU debug port	--
J26	2	SWDIO	MCU debug port	--
J26	3	SWCLK	MCU debug port	--
J26	4	MCU NRST	MCU debug port	--
J26	5	GND	GND	--



**1. M.2 B-Key Power Switch**  
**2. Power Auto ON**  
 PIN Label: J23



**Camera Power**  
 PIN Label: J6/J7

Label	PIN	PIN Name (On/Off)	Function	Level
J23	1	SW_V3_V7	M.2 key B power 3V3 / 3V7	5V
J23	2	ACOK	SOM Auto power ON <sup>3</sup>	3.3V

Label	PIN	PIN Name	Function	Level
J6 / J7	1	12V	CAMERA power 12V	12V
J6 / J7	2	5V	CAMERA power 5V	5V
J6 / J7	3	GND	GND	--
J6 / J7	4	GND	GND	--
J6 / J7	5	CTRL_MIPI	MIPI Enable	3.3V

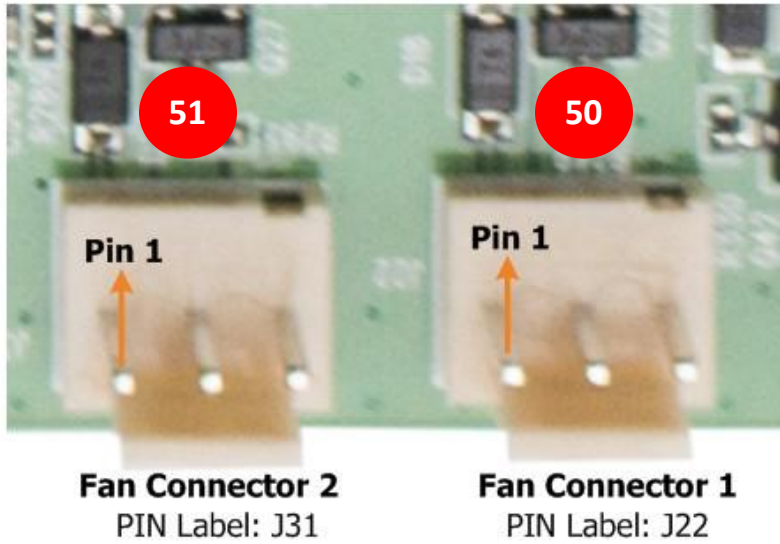
<sup>3</sup> J23-Pin 2 ACOK setting:

(1) Auto power ON (in-vehicle):

In connection with electricity, the device will be switched on automatically.

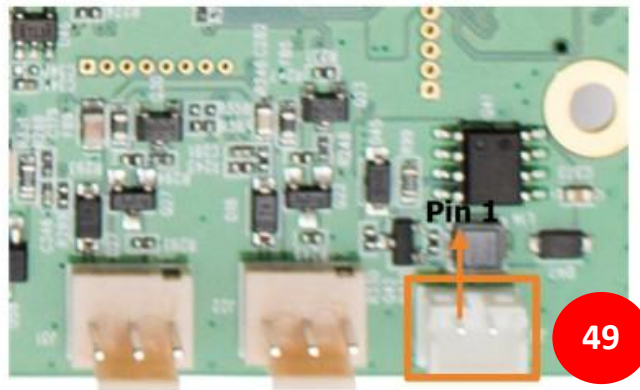
(2) Auto power OFF (desktop, by default):

In connection with electricity, the device will NOT be switched on. Press the PWR button to switch it on.



Label	PIN	PIN Name	Function	Level
<b>J31</b>	1	FAN_TACH	FAN_TACH_IN	12V
<b>J31</b>	2	12V Output	FAN_EN	12V
<b>J31</b>	3	GND	GND	--

Label	PIN	PIN Name	Function	Level
<b>J22</b>	1	FAN_TACH	FAN_TACH_IN	12V
<b>J22</b>	2	12V Output	FAN_EN	12V
<b>J22</b>	3	GND	GND	--



**HDD Heater Connector**  
PIN Label: J37

Label	PIN	PIN Name	Function	Level
<b>J37</b>	1	HEATER	HEATER POWER	CARPWR: 12 /24V
<b>J37</b>	2	GND	GND	--

# Chapter 3

## 3. Specification

System	
AI Accelerator	NVIDIA® AGX Xavier
CPU	8-core NVIDIA Carmel Arm®v8.2 64-bit CPU
GPU	512 NVIDIA CUDA cores and 64 Tensor cores (Volta™ architecture)
Memory	Onboard 32/64 GB 256-bit LPDDR4x
Storage	
Storage	32 GB eMMC 5.1
SATA	SATA x 2
SD Card	SD Card x 1
NVMe SSD	Supported (via Expansion)
Power	
Power Supply	DC 9-36V
Network	
Ethernet	GbE x 2
PoE	PoE x 8 (10/100 MbE, Single 30W/Total 120W)
Antenna	ANT. x 5
Wi-Fi / BT	Supported (via Expansion)
4G / 5G	Supported (via Expansion)
GPS	Supported (via Expansion)
Expansion	
M.2	M.2 M-key 2280 x 1
	M.2 E-key 2230 x 1
	M.2 B-key 3042/3052 x 1

Interface	
Button	PWR & Reset Switch x 1, PWR Input x 1
Indicator	LED x 4 (PWR/LAN/IGN/STR)
Display	HDMI x 1, DisplayPort x 1
Audio	Audio In/Out x 1
USB	USB 3.0 x 2, USB 2.0 x 2
OTG USB	MicroUSB (for Flash OS) x 1
DIO	Alarm In x 8, Alarm Out x 8
Power	PWR Input x 1 (3-pin terminal block)
CAN bus	CAN bus x 1
COM	SKU1: RS232 x 2; SKU2: RS232 x1, RS485 x 1
General	
Dimensions	242 x 177 x 94 mm <sup>3</sup> (W x D X H)
Weight	4.5 kg
Operating Temp.	-20°C ~ 60°C, according to IEC60068-2 with 0.5 m/s AirFlow
Storage Temp.	-40°C ~ 85°C
Storage Humidity	10% ~ 90%, non-condensing
Vibration	MIL-STD-810G, Method 514.7, Category 4; MIL-STD-810G, Method 516.7, Procedure I (Shock)
Certification	CE/ FCC Class A, according to EN 55032/55035; EN50155, UL, BSMI, PSE, other (by project)

## **EverFocus Electronics Corp.**

### **EverFocus Taiwan:**

2F., No.12, Ln. 270, Sec. 3, Beishen Rd., Shengkeng  
Dist., New Taipei City 222, Taiwan  
TEL: +886 2 2662 2338  
FAX: +886 2 2662 3632  
www.everfocus.com.tw  
[marketing@everfocus.com.tw](mailto:marketing@everfocus.com.tw)

### **EverFocus China - Shenzhen:**


2F, Building A, Area A, Longquan Science and  
Technology Park, Tongfuyu Phase II, Henglang  
Community, Dalang Street, Longhua, Shenzhen  
518109, Guangdong, China  
TEL: +86 755 2765 1313  
FAX: +86 755 2765 0337  
www.everfocus.com.cn  
[marketing@everfocus.com.cn](mailto:marketing@everfocus.com.cn)

### **EverFocus USA - California:**

324 W Blueridge Avenue,  
Orange, CA 92865 USA  
TEL: +1 626 844 8888  
FAX: +1 714 792 0481  
www.everfocus.com  
[sales@everfocus.com](mailto:sales@everfocus.com)

### **EverFocus Japan:**

3F, Kuramochi, Building II, 2-2-3 Koto-  
Bashi, Sumida-Ku, Tokyo, 130-0022, Japan  
TEL: +81 3 5821-8579  
FAX: +81 3 5820-1018  
www.everfocus.co.jp  
[info@everfocus.co.jp](mailto:info@everfocus.co.jp)

	<p>Your EverFocus product is designed and manufactured with high quality materials and components which can be recycled and reused.</p> <p>This symbol means that electrical and electronic equipment, at their end-of-life, should be disposed of separately from your household waste.</p> <p>Please, dispose of this equipment at your local community waste collection/recycling centre.</p> <p>In the European Union there are separate collection systems for used electrical and electronic product.</p> <p>Please, help us to conserve the environment we live in!</p>	<p>Ihr EverFocus Produkt wurde entwickelt und hergestellt mit qualitativ hochwertigen Materialien und Komponenten, die recycelt und wieder verwendet werden können.</p> <p>Dieses Symbol bedeutet, dass elektrische und elektronische Geräte am Ende ihrer Nutzungsdauer vom Hausmüll getrennt entsorgt werden sollen.</p> <p>Bitte entsorgen Sie dieses Gerät bei Ihrer örtlichen kommunalen Sammelstelle oder im Recycling Centre.</p> <p>Helfen Sie uns bitte, die Umwelt zu erhalten, in der wir leben!</p>
---	--	---

